

bathomatic® basic – data sheet

bathomatic basic fits all bath types including Whirlpools and easily retrofits to existing.

Contents

Features	1
Options	1
Bundle Contents	1
Specifications	2
Dimensions:	2
User Interface - 2DB	2
User Interface LAN - 2DBL	2
Digital Water Mixer - BDM	3
Motorized waste/drain kit - MWK	4
Performance:	4

Features

- Water depth control
- Water temperature control
- Programmable presets (9)
- Solid-state waterproof touch interface (2DB) in black
- Motorised drain with overflow filler in polished chrome
- Patented solution
- Fits all baths types

Options

- Hand shower
- Custom motorised kit to fill thicker baths (for stone or wood baths)

Bundle Contents

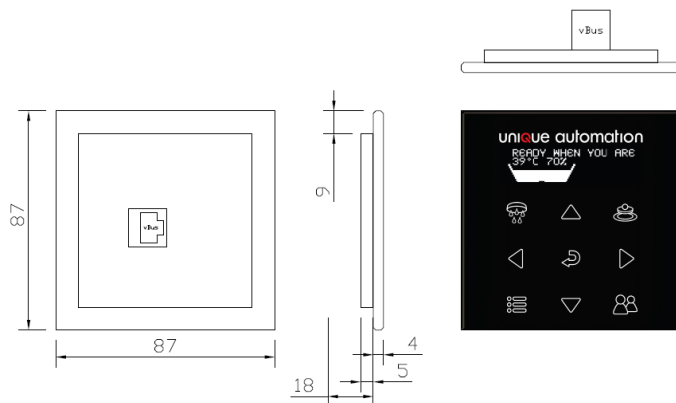
- 2D User Interface – 2DB
- Digital Water Mixer – BDM
- Motorized waste/drain kit – MWK

Specifications

Dimensions:

User Interface - 2DB – 87mm x 87mm [3.425" x 3.425"]

Wall requirements – hole in the wall. To be glued to the wall and silicone applied to all edges. No need for a back box and just a cut-out for the wire

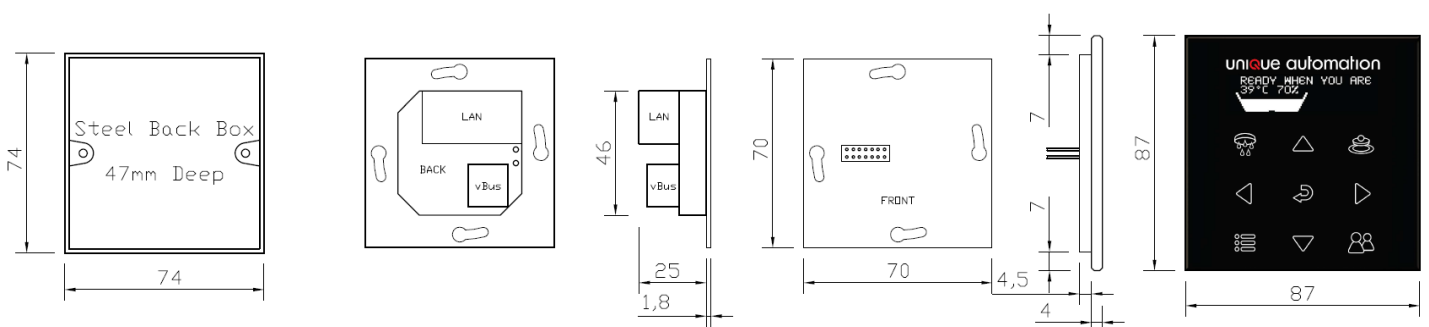


Cabling:

Data: CAT5 to BDM (next page)

User Interface LAN - 2DBL – 87mm x 87mm [3.425" x 3.425"]

Wall requirements – cut out in the wall to fit the back box (supplied) . After installation and bath calibration silicone must be applied to all edges.



Cabling:

Data: CAT5 to BDM (next page and under the bath)
 CAT5 to LAN (network switch or router)

Digital Water Mixer - BDM

Used for bathomatic and hand shower

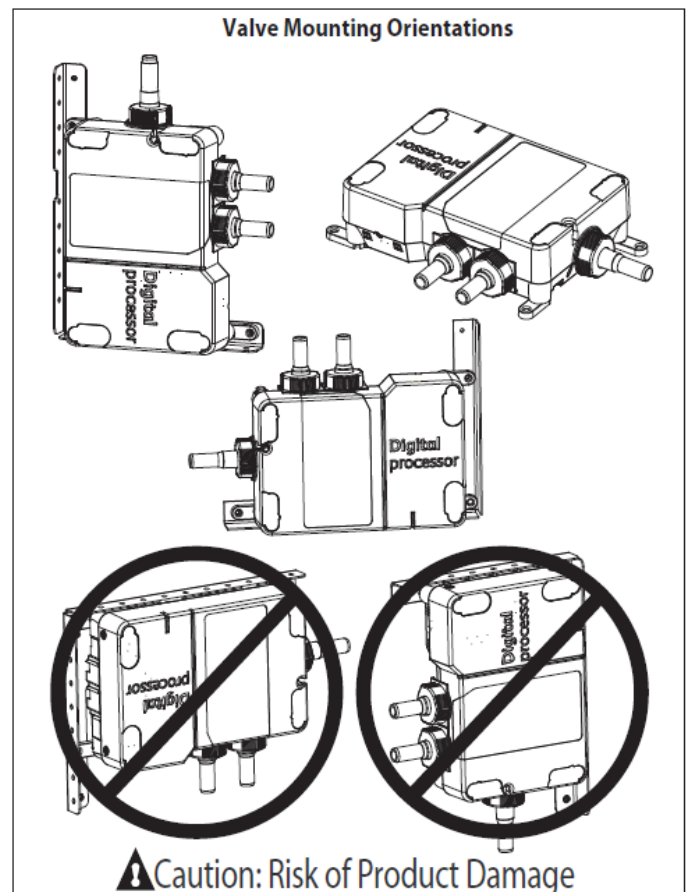
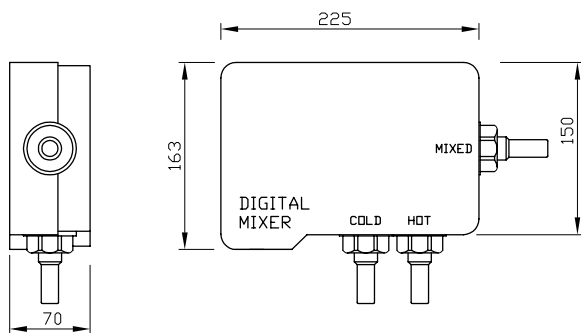
BDM dimensions (mm) W x H x D 225 x 163 x 70

BDM dimensions (inches) W x H x D 8.86 x 6.42 x 2.76

Pipe Size: 15mm (1/2" USA)

Power Supply: 220-230V AC 50Hz (110V AC 60Hz USA)

Power Output: 20W



Cabling:

Power: Install via a fused spur in compliance with local regulations. The device is supplied with a flexible cable (terminated with a plug for USA)

Data: CAT5 to MWK (next page)

Motorized waste/drain kit - MWK

Overflow (mm)	Diameter x Thickness x Clearance:	50, 2–8, 30
Waste (mm)	Diameter x Thickness x Clearance:	50, 2–11, 130 (with shallow P-trap)
Overflow (inches)	Diameter x Thickness x Clearance:	2, 0.08–0.32, 1.18
Drain (inches)	Diameter x Thickness x Clearance:	2, 0.08–0.43, 5.12 (with shallow P-trap)



Installation tool is supplied with each kit

Power Supply: 12V DC (power supply included)

Power Output: 20W

Performance:

Flow rate BDM - 37 l/min at 60psi
Hand shower flow rate - 12 l/min at 60psi